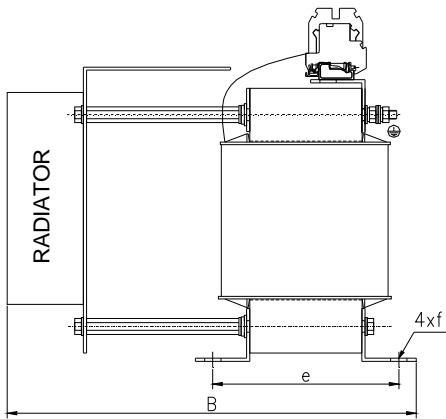
**Technical data:**

Design	Power supplies are manufactured according to requirements of EN/IEC 61558
Insulation class	B(130°C) - standard
Ambient temperature	40°C - land design 45°C - maritime and mining design
Climatic class /environmental class	C1/E0 - land design C2/E1 - maritime and mining design
Protection degree	IP 00
Protection class	I
Frequency	50/60 Hz
Primary voltage	up to 3 x 500 V
Secondary voltage	24 V DC (standard)
Terminals	screw terminals with the cross section up to 50 mm ²
Fastening	by means of angles



Three-phase DC supplies with Graetz's bridge rectifier with connection B6 are designed for users who need for their receivers an unstabilized DC voltage.

DC-supplies are equipped with a LED indicating the current state of the operation. Standard designs of power supplies are prepared for mounting on mounting brackets.

On request power supplies can be supplied with two types of protection: against fault and overload protection.

Technical data of three-phase power supplies EZ3**

Type	U _{DC} [V]	I _{DC} [A]	L [mm]	B [mm]	H [mm]	d [mm]	e [mm]	f [mm]	Weight [kg]
EZ3_* - 0,27	24	10	155	130	172	130	107	8 x 12	4,2
EZ3_* - 0,40	24	15	195	157	185	173	137	8 x 11	6,6
EZ3_* - 0,54	24	20	195	160	190	173	87	8 x 11	8,3
EZ3_* - 0,80	24	30	210	210	208	173	78	8 x 11	10,5
EZ3_* - 1,10	24	40	210	205	208	173	95	8 x 11	15,2
EZ3_* - 1,35	24	50	240	240	270	198	95	8 x 11	15,8
EZ3_* - 1,60	24	60	240	260	270	198	105	8 x 11	18,8
EZ3_* - 2,20	24	80	240	280	280	198	120	8 x 11	24,3
EZ3_* - 2,70	24	100	265	280	295	198	126	8 x 11	31,5
EZ3_* - 3,30	24	120	300	282	335	240	135	11 x 15	35,5
EZ3_* - 4,00	24	150	300	315	365	240	162	11 x 15	49,5

*) - for product design with climatic/environmental class C2/E1 (maritime design W/3 or tropical design T/3) the letter "M" or "G" ought to be added depending on final application

**) - this table was prepared based on the technical specification for power supplies with voltage ratio 400//24V DC operating under normal conditions. For other conditions and data the values may change

Note:

Manufacturer reserves the right to make changes resulting from the continuous development of products offered. If requested in advance, it is possible to manufacture a power supply in other version.