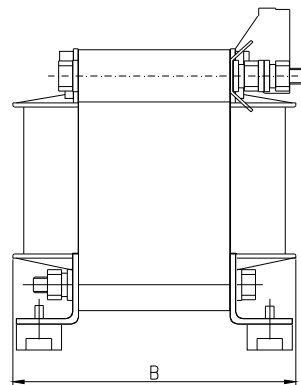
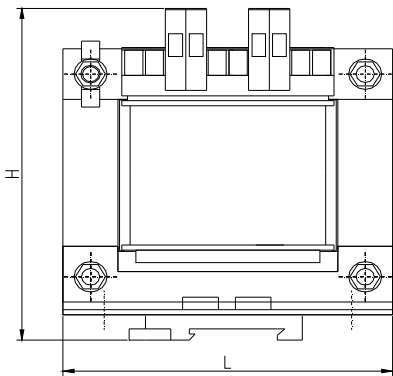


Design with quick-to-fasten clamp



Design with the fastening adapter type GA35

Technical data:	
Design	Separating transformers are produced in accordance with requirements of EN/IEC 61558-2-1
Insulation class	B(130°C) - standard
Climatic class /environmental class	C1/E0 - land design C2/E1 - maritime and mining design
Ambient temperature	40°C - land design 45°C - maritime and mining design
Protection degree	IP 00
Protection class	I
Frequency	50/60 Hz
Primary voltage	up to 1000 V
Secondary voltage	up to 1000 V
Terminals	Screw terminals with nominal cross section from 1,5 mm ² up to 10 mm ²
Fastening	quick-to-fasten clamps for mounting rails TS 35 according to EN 50022

Separating transformers are assigned for supplying lighting circuits, control, etc. Special quick-to-fasten clamp enables the quick and easy mounting on the rail TS35 according to EN 50022. If agreed, the transformers may have more tappings. The windings terminals may be placed on one side only, or on both sides of a transformer.

Technical data of single-phase separating transformers ET1S **

Type	Power [kVA]	L [mm]	B [mm]	H [mm]	Weight [kg]
ET1S_* - 0,050	0,050	78	64	90	1,2
ET1S_* - 0,063	0,063	84	66	93	1,4
ET1S_* - 0,075	0,075	84	66	93	1,5
ET1S_* - 0,10	0,10	84	80	93	2,0
ET1S_* - 0,13	0,13	105	80	111	2,8
ET1S_* - 0,16	0,16	105	80	111	2,9
ET1S_* - 0,20	0,20	105	88	111	3,4
ET1S_* - 0,25	0,25	105	103	111	4,3
ET1S_* - 0,32	0,32	120	95	122	4,4
ET1S_* - 0,40	0,40	120	107	122	5,3
ET1S_* - 0,50	0,50	120	137	127	6,9

*) - for transformer design with climatic/environmental class C2/E1 (maritime design W/3 or tropical design T/3)

the letter "M" or "G" ought to be added depending on final application

**) - this table was prepared basing on the technical specification for transformer with voltage ratio 400//230 operating under normal conditions.

For other conditions and data the values may change

Note:

Manufacturer reserves the right to make changes resulting from the continuous development of products offered.

If requested in advance, it is possible to manufacture transformer in other version.