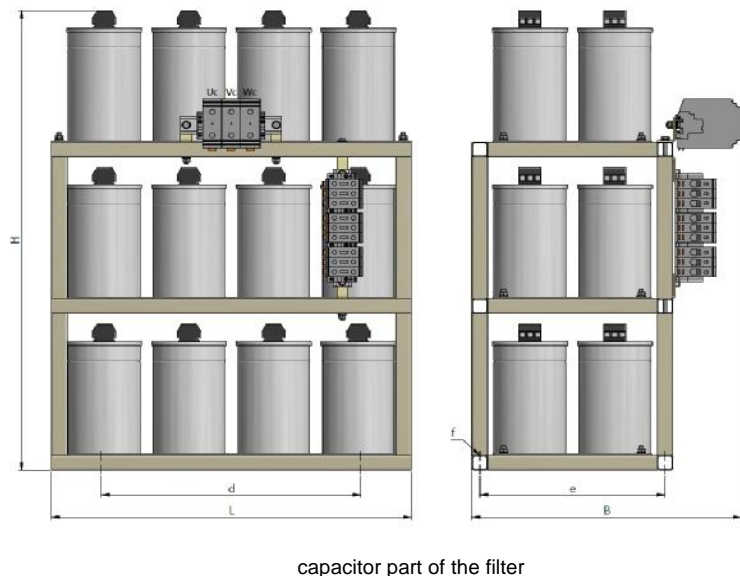


Dane techniczne:	
Design	According to the following standards: EN/IEC 60076-6;EN/IEC 61558-2-20
Insulation class	H(160°C)
Ambient temperature	40°C - land design 45°C - maritime design
Climatic/environmental class	C1/E0 - land design C2/E1 - maritime design
Rated frequency	50 Hz
Rated voltage	$U_n=400\text{ V}$
THDi harmonic content in the output voltage	$\leq 5\%$
Overload capability	110% I_n (continuous)
Overload capability	160% I_n 1 min/h (momentary)
Winding material	copper
Mounting	standing, vertical
Protection degree	IP00

A converter with a 6-pulse input rectifier absorbs from the mains a distorted current with a high harmonic content of lower rank. Absorption of non-sinusoidal current influences the voltage distortion which affects all of the devices supplied from the electrical grid. ElhandHFTM harmonic filters effectively limit the THDi value of the current.



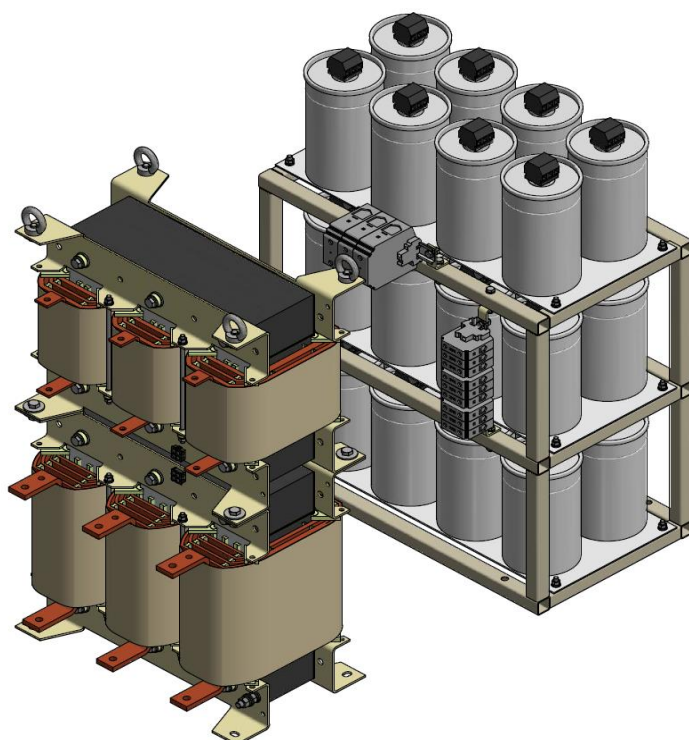
Note:

Manufacturer reserves the right to make changes resulting from the continuous development of products offered.
If requested in advance, it is possible to manufacture filters in other version.
For designs with climatic/environmental class C2/E1 the letter "M" ought to be added

Manufacturer: **ELHAND TRANSFORMATORY Sp. z o.o.**
42-700 Lubliniec, ul. Klonowa 60
tel.: (34) 34 73 100, fax: (34) 34 70 207
<http://www.elhand.pl> e-mail: info@elhand.pl



EF/2016/VI/05



Technical data of three-phase filters EF3H

Type of filter	Power of the drive [kW]	Dimensions of the choke part						Capacitor bank	Total weight [kg]
		L[mm]	B[mm]	H[mm]	d[mm]	e[mm]	f[mm]		
EF3H-160/400/50	160	420	240	755	370	152	4x(13x18)	CAP1	146
EF3H-200/400/50	200	420	260	755	370	172	4x(13x18)	CAP2	185
EF3H-250/400/50	250	420	290	755	370	192	4x(13x18)	CAP2	219
EF3H-315/400/50	315	480	300	855	430	204	4x(13x18)	CAP2	254
EF3H-355/400/50	355	480	325	855	430	214	4x(13x18)	CAP3	292
EF3H-400/400/50	400	480	340	855	430	234	4x(13x18)	CAP3	322
EF3H-500/400/50	500	540	360	965	490	234	4x(13x18)	CAP4	371
EF3H-560/400/50	560	540	380	965	490	254	4x(13x18)	CAP4	420
EF3H-630/400/50	630	540	405	965	490	274	4x(13x18)	CAP4	482

Capacitor bank	L [mm]	B [mm]	H [mm]	d [mm]	e [mm]	f [mm]
CAP1	360	290	940	270	190	4xø13
CAP2	360	465	940	270	350	4xø13
CAP3	520	500	940	430	350	4xø13
CAP4	680	510	940	430	350	4xø13

Note:

Manufacturer reserves the right to make changes resulting from the continuous development of products offered.

If requested in advance, it is possible to manufacture filters in other version.

For designs with climatic/environmental class C2/E1 the letter "M" ought to be added