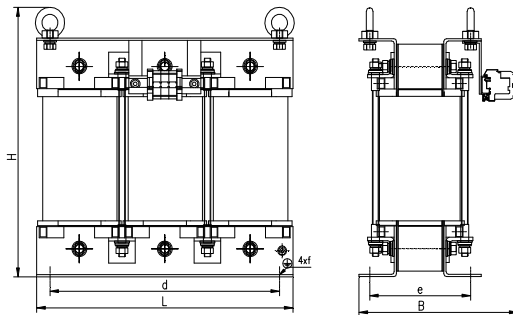
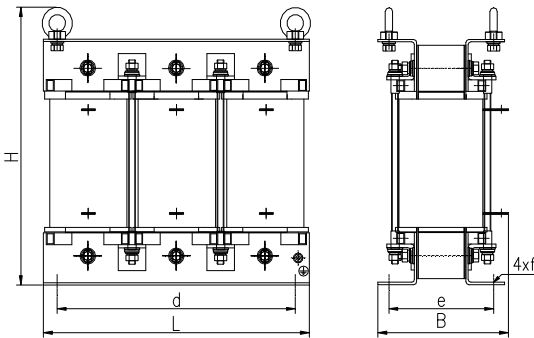


Design A



Design B



Design C

Technical data:	
Design	Chokes are produced according to : EN/IEC 60289
Rated output power	2 - 100 kVAr
Rated voltage	400V
Frequency	50 Hz
Protection degree	IP 00
Insulation class	F(155°C) - standard
Ambient temperature	40°C
Climatic class /environmental class	C1/E0 - land design C2/E1 - maritime design
Terminals	screw terminal blocks or cable lugs
Fastening	by means of angles
Overheat protection	thermal switches

Three-phase shunt reactors type ED3K can be applied in compensation systems for capacity reactive power. This reactive power occurs in systems with synchronous machines and in vast, low and medium voltage cable networks.

The choke ratings are selected for typical used compensation systems.

There is a possibility to produce reactors with other technical data after mutually settlement.

The fixing method of these reactors has to ensure an electrical separation from the base plate (for example by means plastic supports).

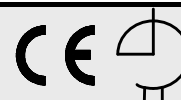
Note:

Manufacturer reserves the right to make changes resulting from the continuous development of products offered.
If requested in advance, it is possible to manufacture chokes in other version.
For designs with climatic/environmental class C2/E1 the letter "M" ought to be added

Manufacturer: **ELHAND TRANSFORMATORY**
 PL 42-700 Lubliniec, ul. PCK 22
 tel.: +48 34 353 17 10, +48 34 351 32 20, fax: +48 34 356 40 03
<http://www.elhand.pl> e-mail: info@elhand.pl



ED/2011/VI/14



Technical data of three-phase shunt reactors ED3K

Power [kVAr]	Type of the choke	Inductance [mH]	Current [A]	L [mm]	B [mm]	H [mm]	d [mm]	e [mm]	f [mm]	Weight	Design
2	ED3K – 2/400	255	2,9	240	121	227	198	95	11 x 29	12	A
2,5	ED3K – 2,5/400	204	3,6	240	121	227	198	95	11 x 29	14	A
3,75	ED3K – 3,75/400	136	5,4	240	141	227	198	115	11 x 29	21	A
5	ED3K – 5/400	102	7,2	261	140	245	198	114	11 x 29	27	A
10	ED3K – 10/400	50,9	14,4	300	258	280	240	160	11 x 15	47	A
15	ED3K – 15/400	34,0	21,7	360	245	330	310	140	11 x 15	61	B
20	ED3K – 20/400	25,5	28,9	420	247	330	370	166	11 x 15	88	B
25	ED3K – 25/400	20,4	36,1	480	287	440	430	188	13 x 18	108	B
30	ED3K – 30/400	17,0	43,3	480	330	440	430	208	13 x 18	128	B
40	ED3K – 40/400	12,7	57,7	480	351	440	430	238	13 x 18	153	B
50	ED3K – 50/400	10,2	72,2	540	365	550	490	248	13 x 18	165	B
60	ED3K – 60/400	8,49	86,6	540	385	550	490	268	13 x 18	185	B
80	ED3K – 80/400	6,37	116	540	405	550	490	288	13 x 18	276	B
100	ED3K – 100/400	5,09	144	690	408	615	590	238	13 x 18	327	C

Note:

Manufacturer reserves the right to make changes resulting from the continuous development of products offered.

If requested in advance, it is possible to manufacture chokes in other version.

For designs with climatic/environmental class C2/E1 the letter "M" ought to be added