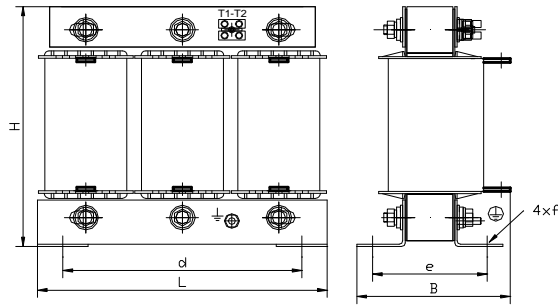
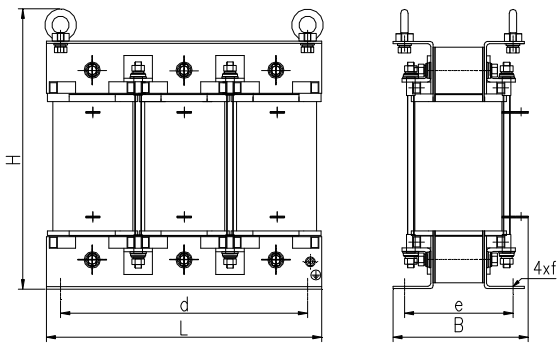


**ED3F-
..*/400/14
AL**

**Three-phase protective chokes
for harmonics filtration in compensation systems p=14%
(rated voltage of capacitive battery 480V)
aluminum windings**



Design A



Design B

Technical data:

Design	Chokes are produced according to : EN/IEC 61558-2-20; EN/IEC 60938
Windings material	aluminum
Rated voltage of capacitors	480 V
Rated supply voltage	400 V
Frequency	50 Hz
Attenuation coefficient [p]	14% ($f_r=134\text{Hz}$)
Insulation class	F(155°C) - standard
Ambient temperature	40°C - land design 45°C - maritime design
Climatic class /environmental class	C1/E0 - land design C2/E1 - maritime design
Protection degree	IP 00
Magnetic linearity	$I_{LIN}=1,15 \cdot I_n$
Thermal current	$1,06 \times I_n$

Chokes are assigned for operation in reactive power compensation systems to protect capacitive batteries. Together with capacitors, they form resonance systems which limit amplitude of harmonics currents.

It is possible to manufacture the chokes with various coil terminals like screw terminal blocks, cable lugs or copper bus bars, depending on the rated current. There is also a possibility to insert sensors in windings, in order to protect the chokes against overheating.

- Q_{LC} - rated reactive power of LC circuit (choke-capacitor)
- U_{LC} - rated voltage of the LC circuit
- P - attenuation coefficient
- Q_C - rated reactive power of the capacitive battery

- U_C - rated voltage of the capacitive battery
- L_N - rated inductance of the protective choke
- I_N - rated current of the LC circuit

Technical data for rated voltage of capacitive battery 480 V

Type of the choke [$Q_{LC}/U_{LC}/p$ Q_C/U_C]	Power of battery [kVAr]	L_N [mH]	I_N [A]	L [mm]	B [mm]	H [mm]	d [mm]	e [mm]	f [mm]	Weight [kg]	Design
ED3F-24,2/400/14-30/480 AL	30	3,42	35	300	170	270	240	133	11x15	28	A
ED3F-32,3/400/14-40/480 AL	40	2,57	46,6	300	185	270	240	160	11x15	39	A
ED3F-40,4/400/14-50/480 AL	50	2,05	58,3	300	195	270	240	160	11x15	40,3	A
ED3F-48,4/400/14-60/480 AL	60	1,71	69,9	357	170	310	300	131	11x21	42,5	A
ED3F-60,6/400/14-75/480 AL	75	1,37	87,4	357	195	310	300	161	11x21	56,8	A
ED3F-80,7/400/14-100/480 AL	100	1,03	117	420	205	420	370	151	11x15	62,8	B

Note:

Manufacturer reserves the right to make changes resulting from the continuous development of products offered.
If requested in advance, it is possible to manufacture a choke in other version.
For designs with climatic/environmental class C2/E1 the letter "M" ought to be added

Manufacturer: **ELHAND TRANSFORMATORY Sp. z o.o.**
PL 42-700 Lubliniec, ul. Klonowa 60
tel.: (34) 34 73 100, fax: (34) 34 70 207
<http://www.elhand.pl> e-mail: info@elhand.pl



ED/2014/X/16