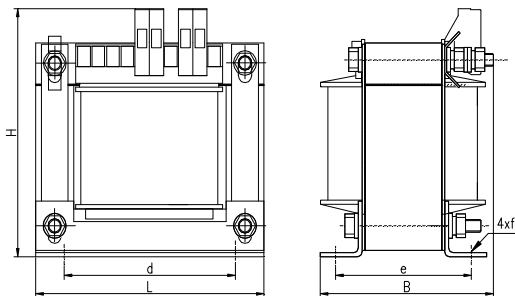


**Technical data:**

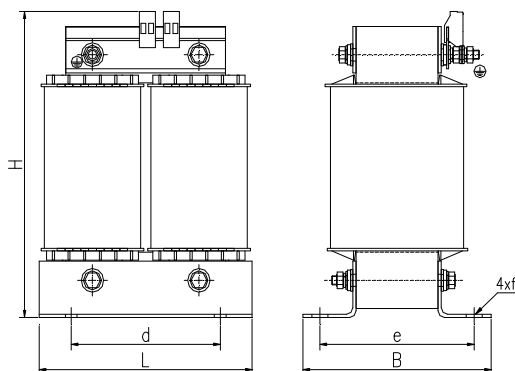
Design	Chokes are produced according to : EN/IEC 60076-6
Rated output power	0,25 - 5 kVAr
Rated voltage	230V
Frequency	50 Hz
Protection degree	IP 00
Insulation class	F(155°C) - standard
Ambient temperature	40°C - land design 45°C - maritime design
Climatic class /environmental class	C1/E0 - land design C2/E1 - maritime design
Terminals	screw terminal blocks or cable lugs
Fastening	by means of angles
Overheat protection	thermal switches

Design A  
with screw terminal blocks

Single-phase shunt reactors type ED1K can be applied in compensation systems for capacity reactive power. This reactive power occurs in systems with synchronous machines and in vast, low and medium voltage cable networks.

The choke ratings are selected for typical used compensation systems. There is a possibility to produce reactors with other technical data after mutually settlement.

The fixing method of these reactors has to ensure an electrical separation from the base plate (for example by means plastic supports ).



Design B

**Note:**

Manufacturer reserves the right to make changes resulting from the continuous development of products offered.  
If requested in advance, it is possible to manufacture chokes in other version.  
For designs with climatic/environmental class C2/E1 the letter "M" ought to be added

Manufacturer: **ELHAND TRANSFORMATORY Sp. z o.o.**  
PL 42-700 Lubliniec, ul. Klonowa 60  
tel.: (34) 34 73 100, fax: (34) 34 70 207  
<http://www.elhand.pl> e-mail: [info@elhand.pl](mailto:info@elhand.pl)



ED/2014/X/18



Technical data of single-phase shunt reactors ED1K

Power [kVAr]	Type of the choke	Inductance [mH]	Current [A]	L [mm]	B [mm]	H [mm]	d [mm]	e [mm]	f [mm]	Weight	Design
0,25	ED1K – 0,25/230	678	1,08	84	80	93	64	63	4,8x8	2,2	A
0,5	ED1K – 0,5/230	340	2,16	120	110	122	90	84	5,8x12	5,2	A
0,75	ED1K – 0,75/230	226,4	3,25	120	110	122	90	84	5,8x12	5,6	A
1,0	ED1K – 1,0/230	166,5	4,4	120	130	122	90	104	5,8x12	7,4	A
1,5	ED1K – 1,5/230	112,3	6,52	150	110	145	122	88	7x13	8,3	A
2,0	ED1K – 2,0/230	84,9	8,67	174	140	160	135	111	7x13	14,9	A
2,5	ED1K – 2,5/230	67,2	10,9	174	150	160	135	121	7x13	17,8	A
3,0	ED1K – 3,0/230	55,9	13,1	174	150	160	135	121	7x13	21,6	A
4,0	ED1K – 4,0/230	42,1	17,4	175	155	263	116	126	11x15	18,6	B
5,0	ED1K – 5,0/230	33,7	21,7	200	165	280	140	133	11x15	21,6	B

**Note:**

Manufacturer reserves the right to make changes resulting from the continuous development of products offered.  
If requested in advance, it is possible to manufacture chokes in other version.

For designs with climatic/environmental class C2/E1 the letter "M" ought to be added